

Table trolleys



Model STR902WH



Model STR902

Electrolux manufactures a complete range of AISI 304 stainless steel trolleys for transportation of goods in professional kitchens. The system offers flexibility, capacity and efficiency and has been designed to solve all problems regarding the transportation and storage of table and kitchen ware, GN and EN containers and trays, crates and dish-washing racks. The table trolleys are available in 4 sizes, and with 2 or 3 shelves.

- Constructed in AISI 304 stainless steel with Scotch Brite finish.
 - Framework in Ø25mm tubing, completely welded.
 - Seamless shelves with edges, welded to the framework.
- EASY TO USE**
- Delivered already assembled.
 - 4 pivoting Ø 125 mm wheels, of which 2 with brakes.
 - Grey plastic bumpers on all wheels.

- The height of the shelf edges prevents goods from falling off the trolley during transportation.

EASY TO MAINTAIN

- Sound absorbing shelves with double-folded edges guarantee sturdiness and stability.

- Durable no-mark tread on the wheels.

EASY ON THE ENVIRONMENT

- Developed and produced in ISO 9001 and ISO 14001 certified factory.
- CFC free packaging.

LOIPART AB

P.O. Box 694
SE 441 18 Alingsås, Sweden
Phone +46 322 66 83 60
Telefax +46 322 63 77 47
E-mail loipart@loipart.se

Exclusive Sales of
Electrolux *Marine Equipment*

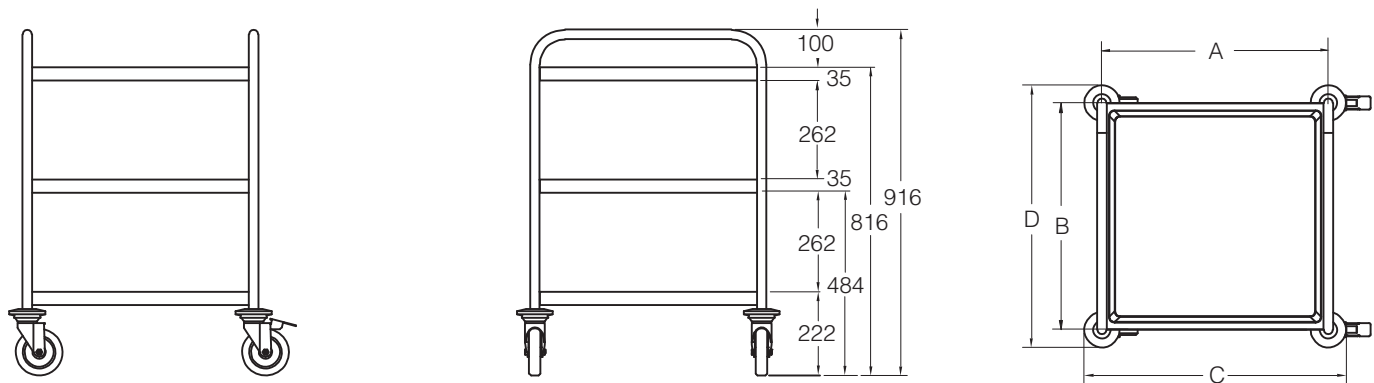
8-082

DOC.NO. 8-082L
EDITION 3 03.11

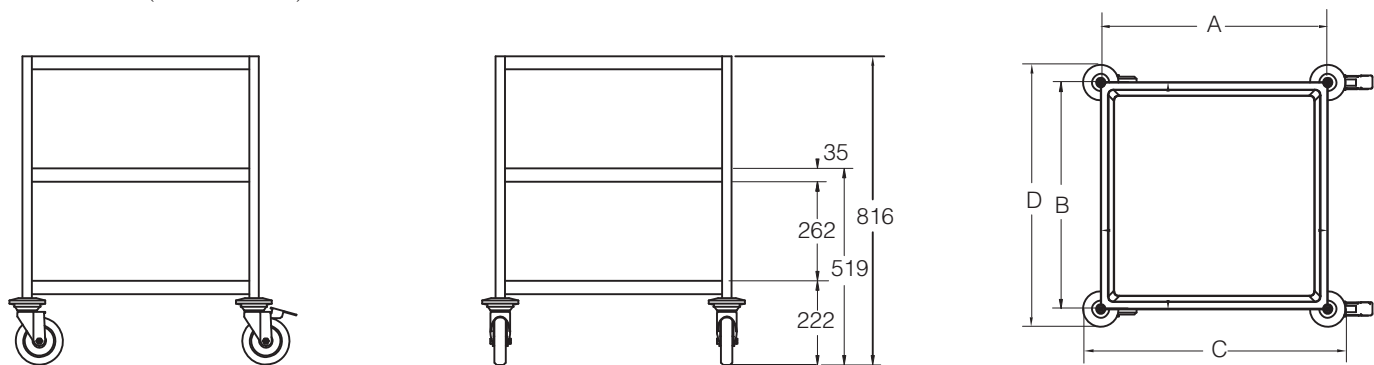
TABLE TROLLEYS

Scale 1:20
Dimensions mm

Models STR WH (with handle)



Models STR (without handle)



Specification – dimensions mm

Model	PNC	Number of shelves	Handle	A	B	C	D	Max. loading kgs	Weight kgs		Shipping volume m ³
									net	gross	
STR 602WH	361 200	2	x	600	600	695	695	100	18	22	0.46
STR 902WH	361 204			900		925			22	26	0.66
STR 122WH	361 208			1200		1295			25	30	0.86
STR 603WH	361 202	3		600		695		22	26	0.46	
STR 903WH	361 206			900		925		27	32	0.66	
STR 123WH	361 210			1200		1295		33	38	0.86	
STR 402	361 224		2	-	600	400	695	495	100	15	18
STR 602	361 212	900			600	925	695	21		25	0.40
STR 902	361 216	1200			1295	24	29	0.76			
STR 122	361 220	150			24	29	0.76				
STR 403	361 226	3	600		400	695	495	100	18	22	0.29
STR 603	361 214		900		600	925	695		21	25	0.40
STR 903	361 218		1200	1295	27	32	0.58				
STR 123	361 222		150	32	37	0.76					

Optional extras

PNC	Description
85 01 00	Wheels Ø 150 mm without brakes (2 pcs)
85 01 02	S/s wheels Ø 125 mm without brakes (2 pcs)
85 01 10	Wheels Ø 150 mm with brakes (2 pcs)
85 01 12	S/s wheels Ø 125 mm with brakes (2 pcs)

8-082

Subject to changes without notice.

Platform trolleys



Model STR601

- PLATFORM TROLLEY RANGE IN 3 VERSIONS
- SOUND ABSORBING SHELVES
- ENTIRELY WELDED STAINLESS STEEL FRAMEWORK
- TWO LOCKABLE SWIVEL CASTORS
- ADAPTED FOR DISHWASHING RACKS

Platform trolleys are available in 3 versions – low or high platform trolleys with handles and low platform trolleys without handles, the so-called troll trolley.

The low platform trolley is available in three sizes, while the high platform trolley and the rack trolley are available in one size.

All trolleys are made of stainless steel quality AISI 304.

The platform trolley's seamless shelf has a deep edging which makes cleaning easier. The depth of the edging prevents goods from falling off the trolley during transportation. The handle is made of Ø 25 mm stainless steel tubing and is solidly attached. The rack trolley is equipped with turned up double edges, with openings at the corners adapted for transporting and storing dishwashing racks.

The trolleys are equipped with 4 Ø 125 mm easy-roll swivel castors with durable tread. Two of the castors are lockable.

For further specifications of the different models and optional extras, please see overleaf.

LOIPART AB

P.O. Box 694
SE 441 18 Alingsås, Sweden
Phone +46 322 66 83 60
Telefax +46 322 63 77 47
E-mail loipart@loipart.se

Exclusive Sales of
Electrolux *Marine Equipment*

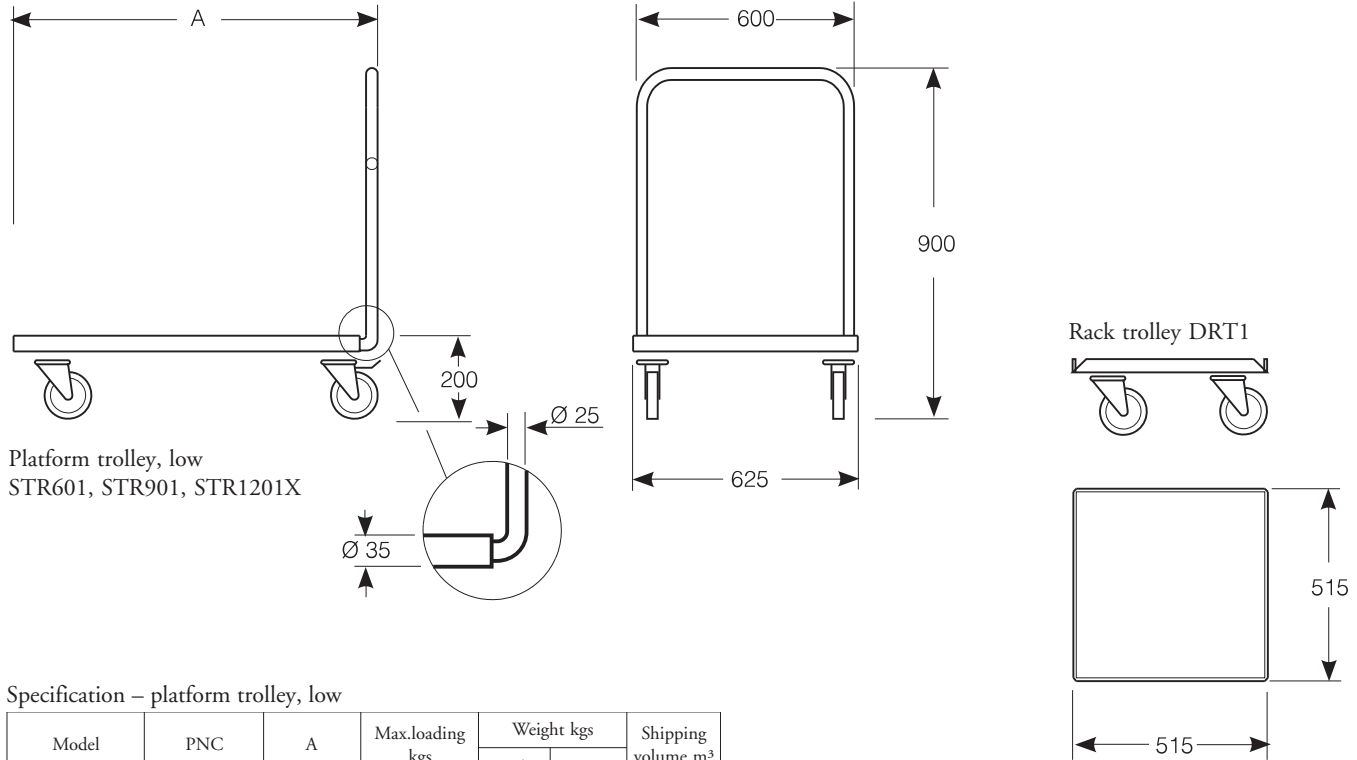
8-090

DOC. NO. 8-090L
EDITION 2 01.09

PLATFORM TROLLEYS

Scale 1:20

Dimensions mm



Platform trolley, low
STR601, STR901, STR1201X

Specification – platform trolley, low

Model	PNC	A	Max.loading kgs	Weight kgs		Shipping volume m ³
				net	gross	
STR601	361 230	670	150	13	17	0.36
STR901	361 232	970		15	19	0.52
STR1201X	361 234	1270	220	16	20	0.69

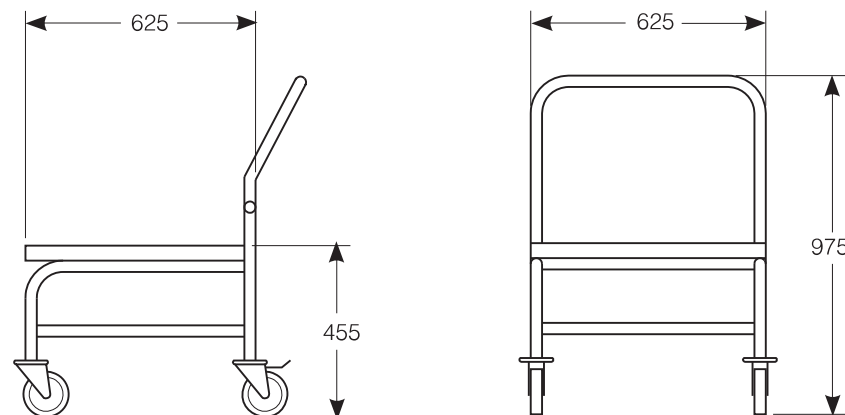
Specification – rack trolley

Model	PNC	Max.loading kgs	Weight kgs		Shipping volume m ³
			net	gross	
DRT1	361 238	100	8.4	11	0.05

Optional extras – platform trolley, low ; rack trolley

PNC	Description
85 01 04	Wheels Ø 150 mm without brakes (2 pcs)
85 01 06	S/s wheels Ø 125 mm without brakes (2 pcs)
85 01 14	Wheels Ø 150 mm with brakes (2 pcs)
85 01 16	S/s wheels Ø 125 mm with brakes (2 pcs)
85 01 30	Corner protection (4 pcs)

Platform trolley, high STR601HPX



Specification – platform trolley, high

Model	PNC	Max.loading kgs	Weight kgs		Shipping volume m ³
			net	gross	
STR601HPX	361 236	100	15	19	0.47

Optional extras – platform trolley, high

PNC	Description
85 01 00	Wheels Ø 150 mm without brakes (2 pcs)
85 01 02	S/s wheels Ø 125 mm without brakes (2 pcs)
85 01 10	Wheels Ø 150 mm with brakes (2 pcs)
85 01 12	S/s wheels Ø 125 mm with brakes (2 pcs)

8-090

Subject to changes without notice.

Stacking trolleys for plates (plate-cassettes)/trays, racks



- ENTIRELY WELDED STAINLESS STEEL FRAMEWORK
- STAINLESS STEEL SHELVES FOR PLATES/TRAYS
- EXECUTION ACC. TO N.S.F. REGULATIONS
- TWO LOCKABLE SWIVEL CASTORS
- SINGLE- AND DOUBLE-SIDED EXECUTION
- CASTOR BUMPERS ON ALL WHEELS

Stacking trolleys for plates are available in two executions – as single-sided and double-sided. They are provided with dividers for 3 respectively 6 stacks of plates with diameter max. 250 mm.

Stacking trolleys for trays is adjusted for 2 stacks of trays with width of max. 375 mm. The double-sided plate cassette trolley with two shelves in two levels is intended for plate cassettes of different sizes.

The combination trolley is provided with three shelves for plate cassettes and 5 pairs of guides for racks.

The entirely welded framework is constructed from AISI 304 square 25x25 mm stainless steel, with the exception of combination trolley's frame, which is made of stainless steel tube Ø 25 mm.

The inward sloped shelves with double-flanged side edging prevents trays, plates in cassettes or stacks from falling off the trolleys during transportation. The smooth shelves, removable chromium-plated dividers and hygienic guides make cleaning easier.

The trolleys are equipped with four Ø 125 mm easy-roll swivel castors with durable tread. Two of the castors are lockable.

For further specifications of the different models as well as optional extras, please see following pages.

LOIPART AB

P.O. Box 694
SE 441 18 Alingsås, Sweden
Phone +46 322 66 83 60
Telefax +46 322 63 77 47
E-mail loipart@loipart.se

Exclusive Sales of
Electrolux Marine Equipment

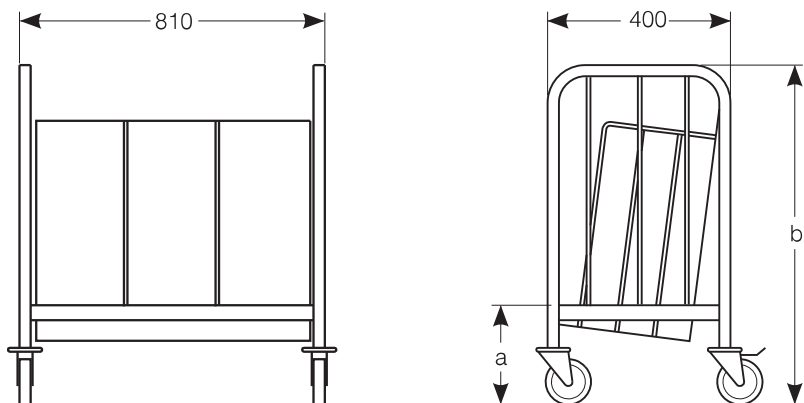
8-211

DOC. NO. 8-211L
EDITION 3 01.09

STACKING TROLLEYS

Scale 1:20
Dimensions mm

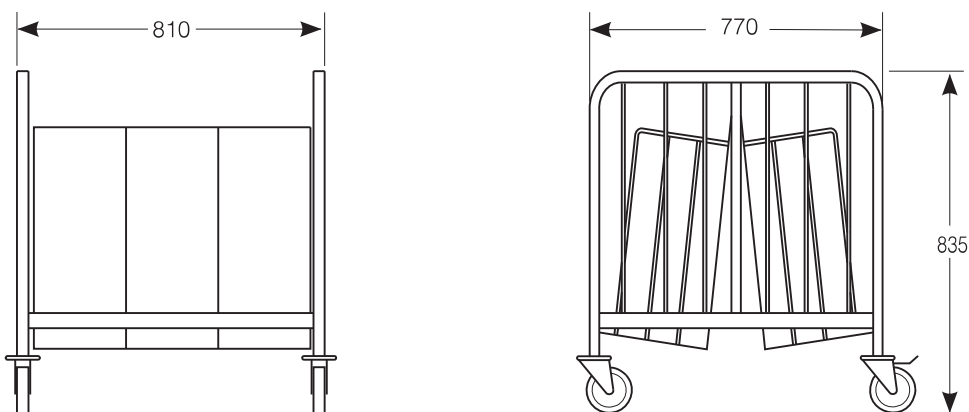
Trolley for plates/plate cassettes, single-sided PTR150 (low), PTR150H (high)



Specification – Trolley for plates/plate cassettes, single-sided

Model	PNC	a	b	Number of plates max. Ø 245 mm	Weight kgs		Shipping volume m ³
					net	gross	
PTR150	361 286	270	835	150	15	18	0.330
PTR150H	361 288	370	935	150	16	19	0.370

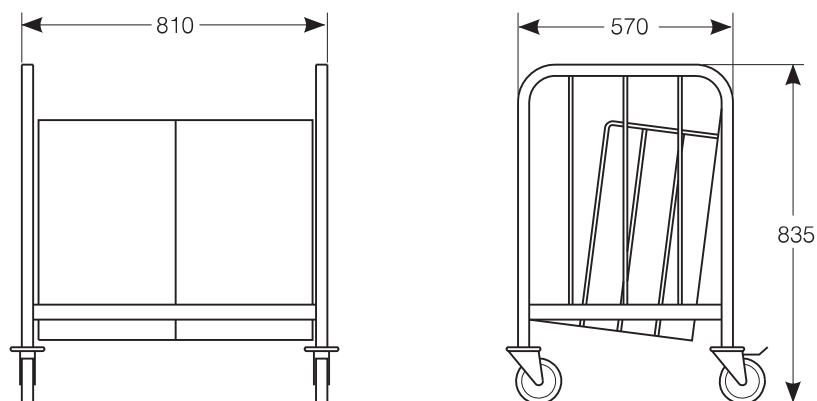
Trolley for plates/plate cassettes, double-sided PTR300



Specification – Trolley for plates/plate cassettes, double-sided

Model	PNC	Number of plates max. Ø 245 mm	Weight kgs		Shipping volume m ³
			net	gross	
PTR300	361 290	300	28	33	0.600

Stacking trolley for trays TTR300



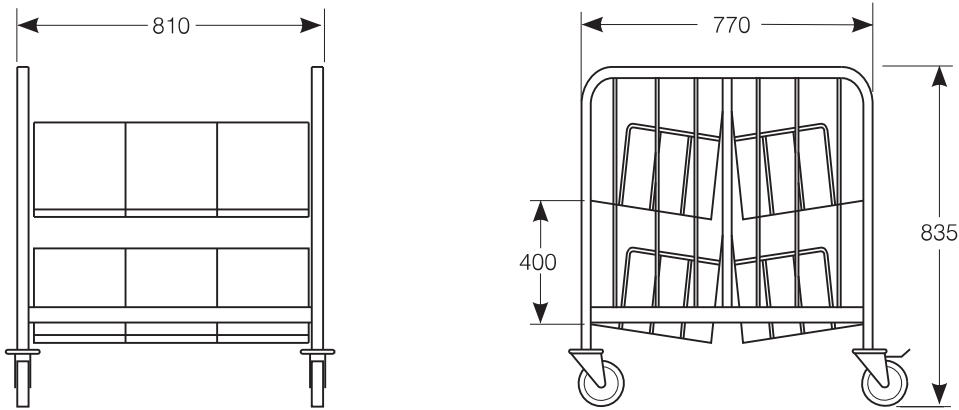
Specification – Stacking trolley for trays

Model	PNC	Number of trays max. width 375 mm	Weight kgs		Shipping volume m ³
			net	gross	
TTR300	361 292	300	20	24	0.460

STACKING TROLLEYS

Scale 1:20
Dimensions mm

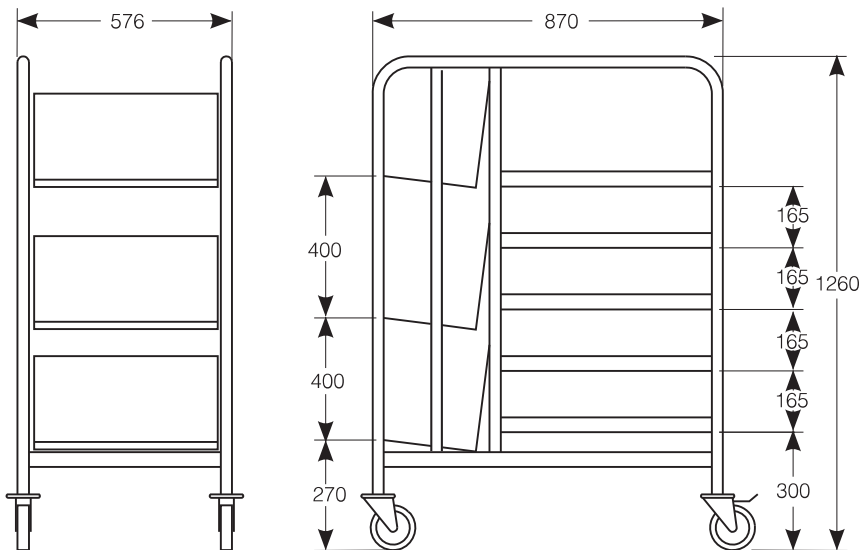
Trolley for plates/plate cassettes, double-sided PTR300T



Specification – Trolley for plates/plate cassettes, double-sided

Model	PNC	Number of plate cassettes	Weight kgs		Shipping volume m ³
			net	gross	
PTR300T	361 294	12	33	38	0.550

Combination trolley, double-sided MDNT4B3S



Specification – Combination trolley, double-sided

Model	PNC	Number of plate cassettes	Number of racks	Weight kgs		Shipping volume m ³
				net	gross	
MDNT4B3S	361 296	6	5	22	26	0.740

Optional extras – Stacking trolleys

PNC	Description
85 01 00	Wheels Ø 150 mm without brakes (2 pcs)
85 01 02	S/s wheels Ø 125 mm without brakes (2 pcs)
85 01 10	Wheels Ø 150 mm with brakes (2 pcs)
85 01 12	S/s wheels Ø 125 mm with brakes (2 pcs)
85 01 20	S/s drip tray for racks

STACKING TROLLEYS

Cutlery and sink trolleys



Model 361 264



Model 361 266

- RIGID STAINLESS STEEL CONSTRUCTION
- HYGIENICALLY ROUNDED RIMS
- DRAIN EQUIPPED WITH VALVE
- ACCEPTING 500 X 500 MM RACKS
- HEAVY DUTY CASTORS

The trolleys are made in AISI 304 stainless steel. The basin/bowl in polished stainless steel is seamless welded with rounded corners. The Ø25 mm tubular framework of stainless steel is welded in one piece and solidly attached to the basin/bowl for optimal rigidity. Cutlery trolley is sized to accept a 500 x 500 mm standard rack. Sink trolley is designed for soaking dirty table and galleyware.

The trolleys are equipped with a 2" valve with an elongated twist handle, which simplifies drainage.

The trolleys are equipped with 4 Ø125 mm easy-roll swivel castors with durable non-mark treads and grey plastic bumpers. Two castors are lockable.

For further specifications, please see overleaf.

LOIPART AB

P.O. Box 694
SE 441 18 Alingsås, Sweden
Phone +46 322 66 83 60
Telefax +46 322 63 77 47
E-mail loipart@loipart.se

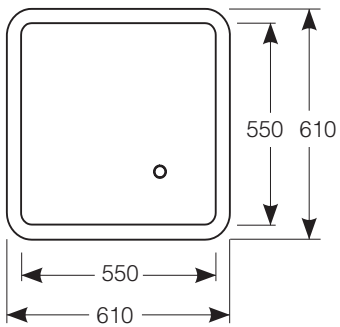
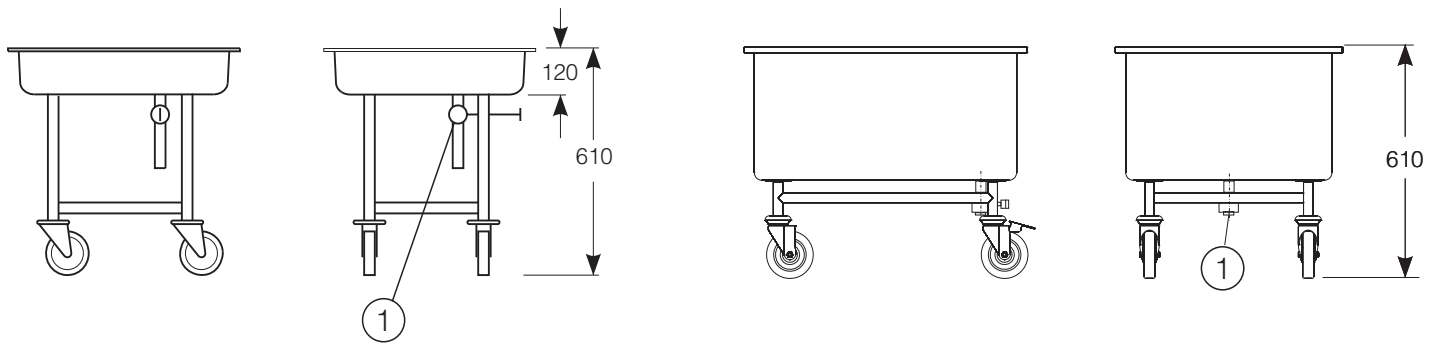
Exclusive Sales of
Electrolux *Marine Equipment*

8-221

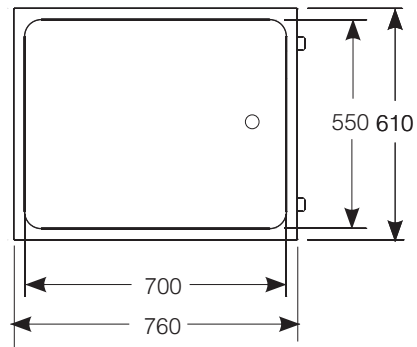
DOC.NO. 8-221L
EDITION 2 06.10

CUTLERY AND SINK TROLLEYS

Scale 1:20
Dimensions mm



1. Drain, ball valve 2" with elongated twist handle



1. Drain valve 2" with elongated twist handle

Specification

Model	Description	Basin/bowl volume l	Weight kgs		Shipping volume m ³
			net	gross	
361264	cutlery trolley	35	20	25	0.200
361266	sink trolley	110	20	25	0.300

Tray and cutlery trolleys



Model 395 39 with shelf 395 41
and cutlery holders 350 50

- RIGID CONSTRUCTION
- HEAVY DUTY CASTORS
- 2 SIZES

The trolleys are available in two sizes, for integration to the modular "Expo 200" counter system, or for separate, individual use.

The framework of square 25x25 mm anodized aluminium tubes, high pressure fitted together with plastic coated, heavy steel angle joints, ensures a rigid construction.

The platform shelf and back are made of heavy duty chipboard, standard finished in plastic laminate. A polished stainless steel finish is available, upon request.

The heavy duty Ø 125 mm castors, two of which have locking brakes, are all of swivel type.

For further specifications and optional extras, please see overleaf.

LOIPART AB

P.O. Box 694
SE 441 18 Alingsås, Sweden
Phone +46 322 66 83 60
Telefax +46 322 63 77 47
E-mail loipart@loipart.se

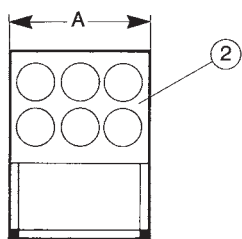
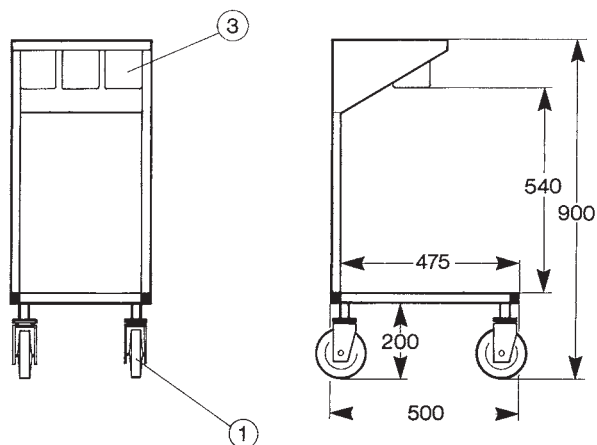
Exclusive Sales of
Electrolux *Marine Equipment*

8-281

DOC. NO. 8-281L
EDITION 1 07.08

TRAY AND CUTLERY TROLLEYS

Scale 1:20
Dimensions mm



1. Castors, Ø 125 mm
2. Stainless steel shelf – optional extra
3. Cutlery holder – optional extra

Specification/dimensions mm

Model	A	Capacity/trays	Weight kgs		Shipping volume m ³
			net	gross	
395 39	370	~100	15	20	0.3
395 40	770	~200	20	25	0.6

Optional extras

Model	Description
395 41	Stainless shelf for 395 39 accepting 6 cutlery holders
395 42	Stainless shelf for 395 40 accepting 12 cutlery holders
350 50	Plastic cutlery holder for models 395 41 and 395 42

Mobile plate dispensers



Model 16 93 27

- STAINLESS STEEL
- FLUSHABLE
- HEAVY DUTY CASTORS
- ADJUSTABLE FOR DIFFERENT PLATE DIAMETERS AND WEIGHT
- TWO SIZES
- HEATED ALT. NON-HEATED
- THERMOSTAT CONTROLLED
- INSULATED

The dispensers are made of stainless steel quality AISI 304 and intended for transportation, storing and ergonomically hand-ling of plates in right working height. They are suitable for service counter systems, tray preparation lines and other use.

The dispensers are adjustable for two plate diameters - Ø 185-260 mm resp. Ø 240-315 mm. The adjustable guides holds the height of stacked plates 50 mm above the top. By adding or removing of the springs, easy accessible through the holes in the top, any weights of the plates can be matched.

All models come with a handle and four heavy duty castors Ø 125 mm, two of swivel type with brakes, two of fixed type.

The heated models are double mantled and insulated. The temperature is controlled by a thermostat. Connection cord with plug is included.

For further specification of the models and optional extras, please see overleaf.

LOIPART AB

P.O. Box 694
SE 441 18 Alingsås, Sweden
Phone +46 322 66 83 60
Telefax +46 322 63 77 47
E-mail loipart@loipart.se

Exclusive Sales of
Electrolux *Marine Equipment*

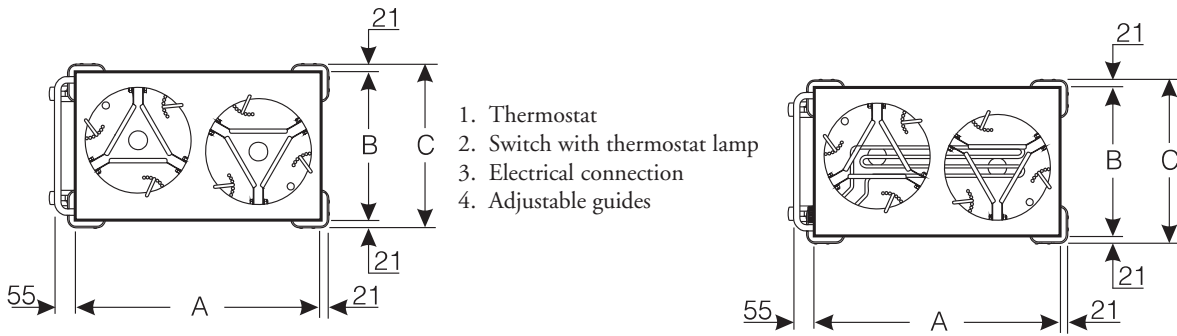
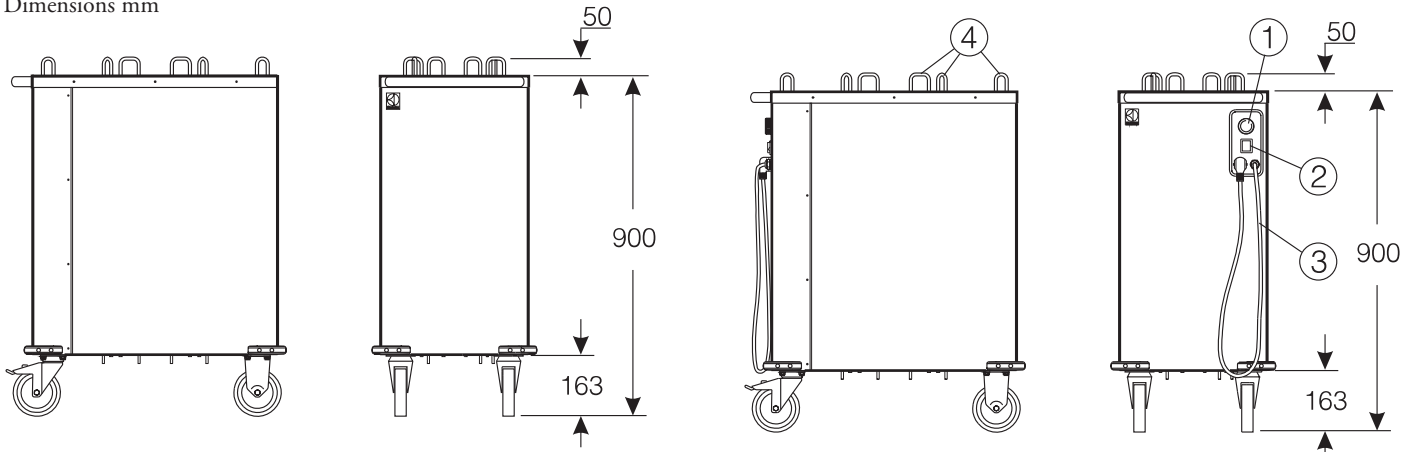
8-351

DOC. NO. 8-351L
EDITION 2 01.09

MOBILE PLATE DISPENSERS

Scale 1:20

Dimensions mm



Model 16 93 24, 16 93 26

Model 16 93 25, 16 93 27

Specification

Model	Heated	Plate diameter mm	Capacity - number of plates	Dimensions mm			Voltage	Loading kW	Weight kgs		Shipping volume m ³
				A	B	C			net	gross	
16 93 24	-	185 - 260	ca 2x60	650	395	437	230 1-50/60	-	31	35	0.330
16 93 25	x							1.45	41	45	
16 93 26	-	240 - 315		800	410	452		-	37	42	0.360
16 93 27	x							1.45	47	52	

Optional extras

Model	Description
16 93 28	S/s lid for model 16 93 24 and 16 93 25
16 93 29	S/s lid for model 16 93 26 and 16 93 27
16 93 31	Plate stop

Plate dispensers



Model HLM46PH/ PN28

These plate dispensers are intended for warm keeping, storing and ergonomic handling of plates in right working height. They are suitable for service counter systems, tray preparation lines and other use and they are specially developed for marine use.

DESIGN

- Reliable, easy to clean and durable construction.
- Exterior and interior are made of stainless steel quality AISI 304.
- Unheated or heated models. Heated models with the bottom heater insulated with CFC free refrigerant.
- Thermostatically controlled.

EASY TO INSTALL

- Modular construction - no tools are required.

EASY TO USE

- Easily adjustable for plate size Ø 22–28 mm or 28–32mm.

EASY TO MAINTAIN

- All units are delivered with a 2 m cord and plug.
- 140 mm high adjustable marine feet.

For further specifications of the models, please see overleaf.

LOIPART AB

P.O. Box 694
SE 441 18 Alingsås, Sweden
Phone +46 322 66 83 60
Telefax +46 322 63 77 47
E-mail loipart@loipart.se

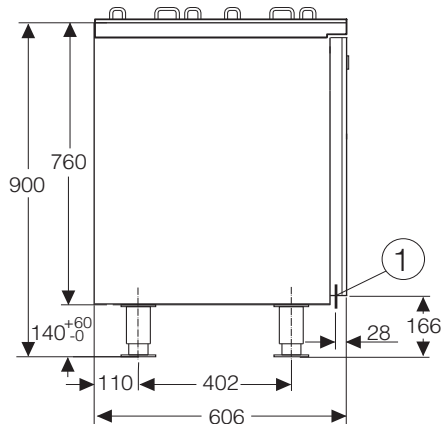
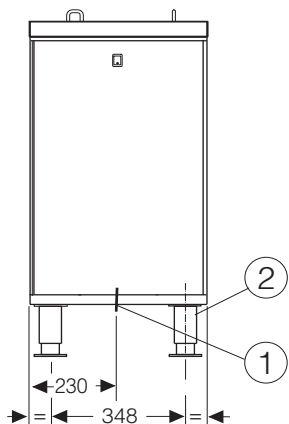
Exclusive Sales of
Electrolux *Marine Equipment*

8-352

DOC.NO. 8-352L
EDITION 1 11.09

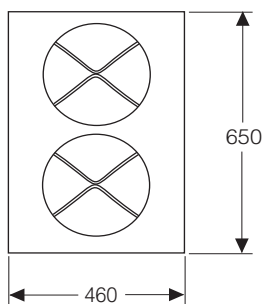
PLATE DISPENSERS

Scale 1:20
Dimensions mm

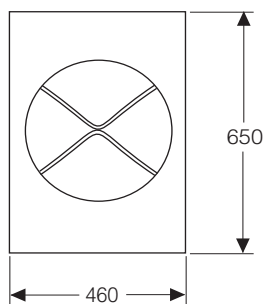


1. Electrical connection, 2 m cord with plug included
2. Adjustable marine feet (+60/-0)

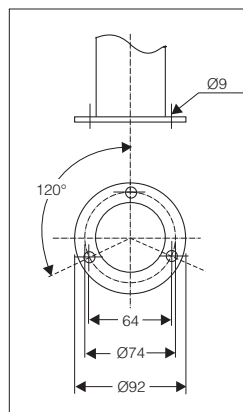
Models HLM46PH/PN28



Models HLM46PH/PN32



Detail of marine foot:



Specifications

Model	Heating	Plate size Ø mm	Capacity plates	Voltage V	Power kW	Fuse, slow A	Weight kgs		Shipping volume m ³
							net	gross	
HLM46PH28	x	22-28	2x50	230 1-50/60	1.4	10	40	60	0.4
HLM46PN28	-			-	-		38	58	
HLM46PH32	x	28-32	50	230 1-50/60	0.7		40	60	
HLM46PN32	-			-	-		38	58	

Mobile tray and rack dispensers



Model 16 83 62



Model 16 87 51
with cutlery holders

- RIGID CONSTRUCTION
- STAINLESS STEEL
- THREE MODELS
- ADJUSTABLE FOR DIFFERENT WEIGHTS
- HEAVY DUTY BUMPERS

The mobile dispensers are produced in two types, one for trays and one for dishwashing racks with crockery and glasses. They are intended for storage and transportation in serving lines, distribution systems and other use.

The dispensers are made of stainless steel quality AISI 304 with smooth, easy to clean surfaces. The automatic lifting system for the upper shelf can easily be adjusted for different weights of items by means of adding or removing springs.

The easy accessible springs are located behind the interior front plate.

The dispensers are available in three models, accepting 5 dishwashing racks or 130 serving trays in two different standard sizes.

All models are equipped with heavy duty Ø 125 mm castors of swivel type, two of which are lockable.

For further specifications of the models and optional extras, please see overleaf.

LOIPART AB

P.O. Box 694
SE 441 18 Alingsås, Sweden
Phone +46 322 66 83 60
Telefax +46 322 63 77 47
E-mail loipart@loipart.se

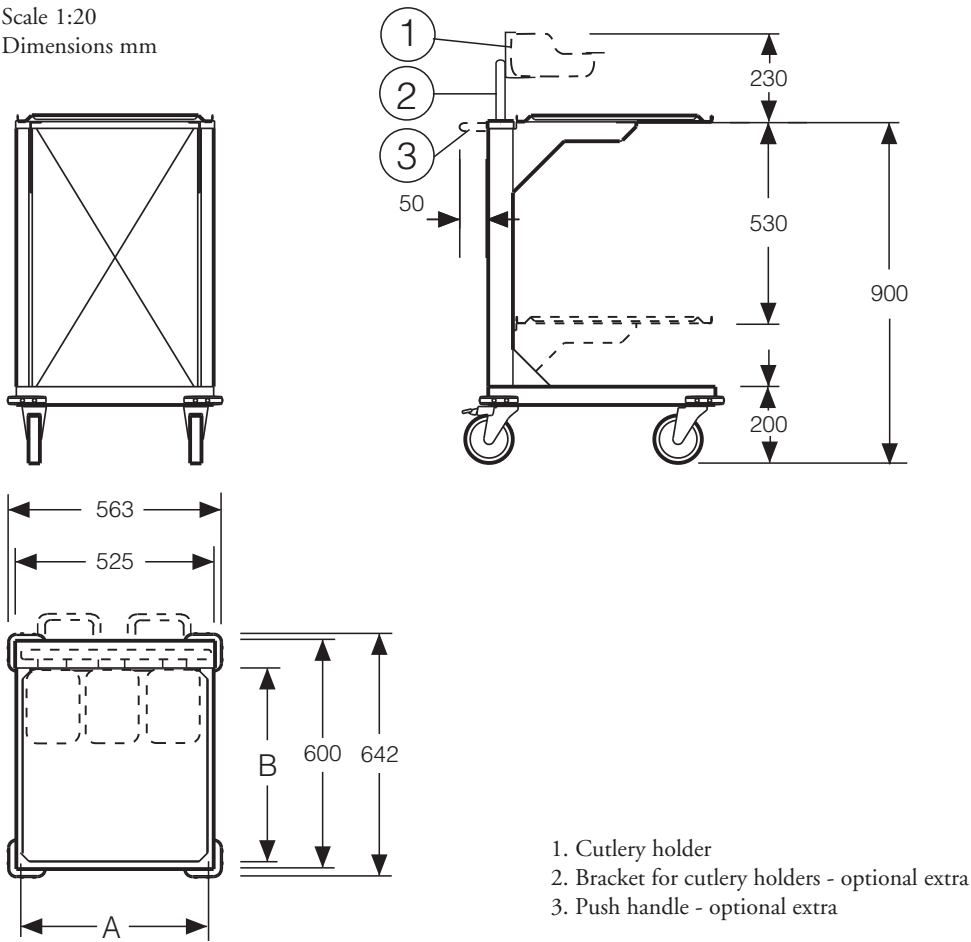
Exclusive Sales of
Electrolux *Marine Equipment*

8-371

DOC.NO. 8-371L
EDITION 4 07.11

MOBILE TRAY AND RACK DISPENSERS

Scale 1:20
Dimensions mm



- 1. Cutlery holder
- 2. Bracket for cutlery holders - optional extra
- 3. Push handle - optional extra

Specification

Model	Intended for		Dimensions mm		Capacity number of racks/trays	Weight kgs		Shippin volume m ³
	racks	trays	A	B		net	gross	
16 83 62	x	-	510	510	5 racks 500x500	35	40	0.300
16 87 51	-	x	440	340	130 trays 430x330			
16 87 52	-	x	470	355	130 trays 460x345			

Optional extras

Model	Description
16 77 53	Cutlery holder
16 91 43M	Bracket for 16 77 53
16 93 53	Push handle, set of two

Rack trolleys



Model DRT8SS



Model DRT8



Model DRT4

- RACK TROLLEY RANGE IN 5 MODELS
- GUIDES OF THE HIGHEST HYGIENE GRADE
- ENTIRELY WELDED STAINLESS STEEL FRAMEWORK
- ADAPTED FOR DISHWASHING RACKS
- TWO LOCKABLE SWIVEL CASTORS
- CASTOR BUMPERS ON ALL WHEELS

The rack trolleys are available in 5 models, in high or low versions. There are two types of low rack trolley, and three types of high rack trolley.

The fully-welded frame is a sturdy and durable construction in AISI 304 quality 25 mm diameter stainless steel tubing. The well thought-out design of the rack trolleys' guides, with a solid end stop for the dishwashing racks, makes cleaning easier.

The low rack trolley, with a height of 900 mm is manufactured with or without stainless steel top.

The high rack trolley can be used for stacking, which reduces the need for space in the galley, where several trolleys are needed.

For placing in serving counters, there are rack trolleys with the upper two guides constructed at an angle, making it easier to take out cups and glasses for guests.

The trolleys are equipped with 4 Ø 125 mm easy-roll swivel castors with durable tread. Two of the castors are lockable.

For further specifications of the different models and optional extras, please see over-leaf.

LOIPART AB

P.O. Box 694
SE 441 18 Alingsås, Sweden
Phone +46 322 66 83 60
Telefax +46 322 63 77 47
E-mail loipart@loipart.se

Exclusive Sales of
Electrolux Marine Equipment

8-400

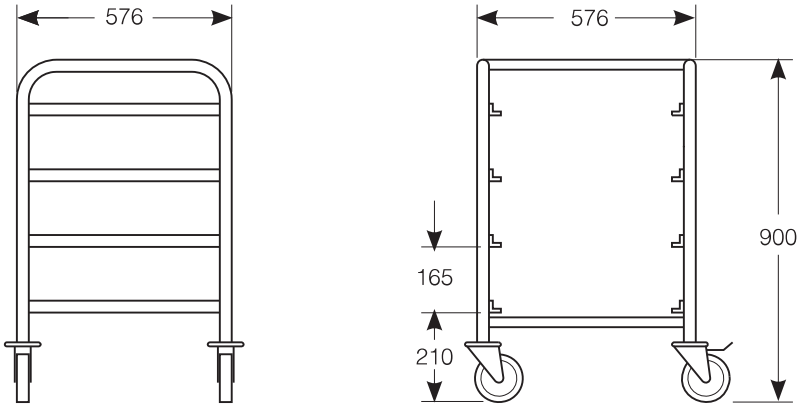
DOC. NO. 8-400L
EDITION 2 01.09

RACK TROLLEYS

Scale 1:20

Dimensions mm

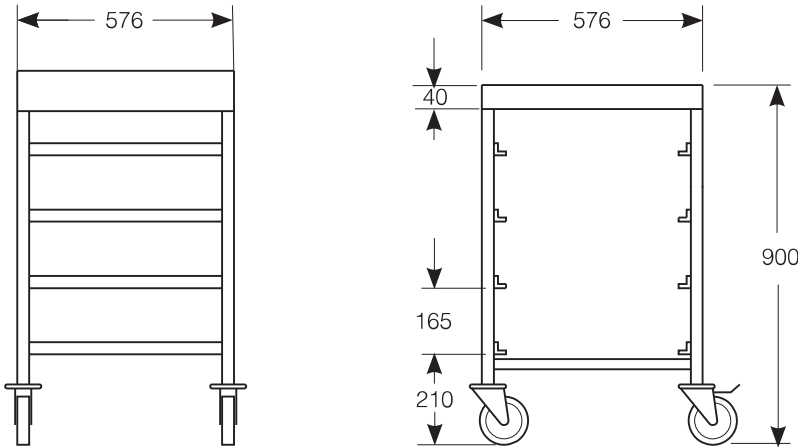
RACK TROLLEY, low



Specification – rack trolley, low

Model	PNC	Max loading kgs	Weight kgs		Shipping volume m ³
			net	gross	
DRT4	361 244	100	15	19	0.340

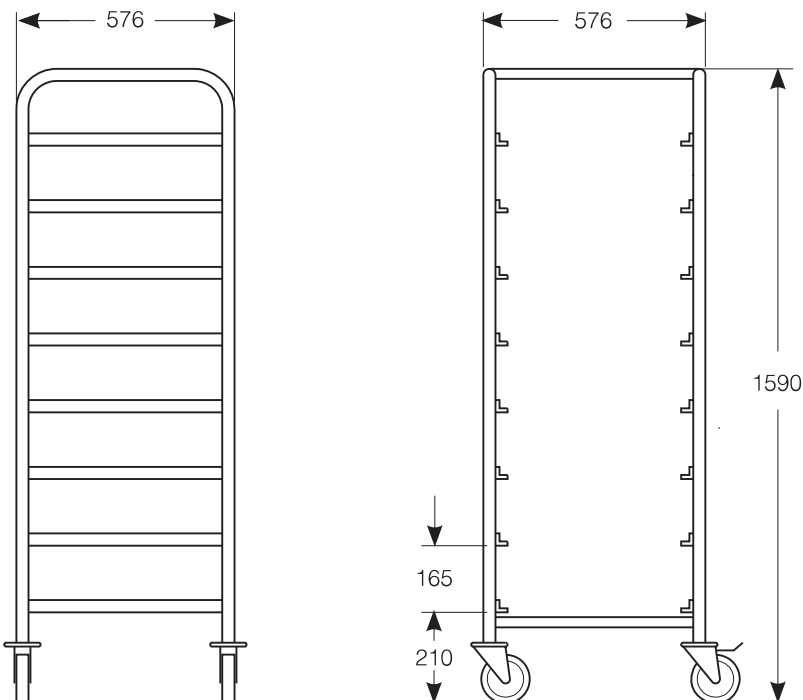
RACK TROLLEY with top, low



Specification – rack trolley with top, low

Model	PNC	Max loading kgs	Weight kgs		Shipping volume m ³
			net	gross	
DRT4T	361 246	100	20	25	0.370

RACK TROLLEY, high



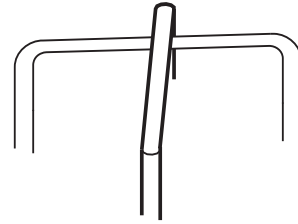
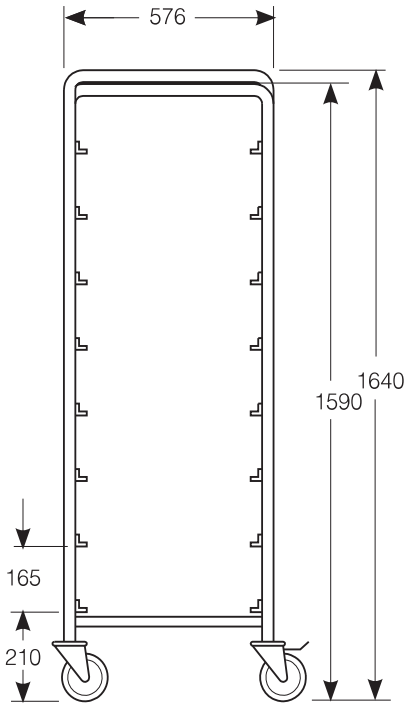
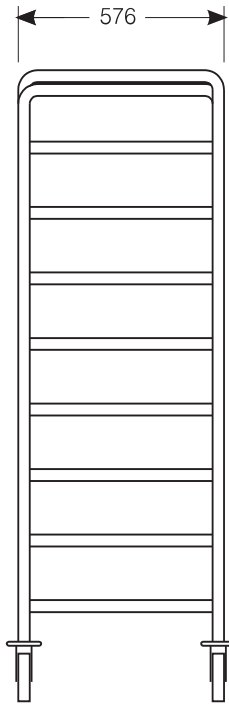
Specification – rack trolley, high

Model	PNC	Max loading kgs	Weight kgs		Shipping volume m ³
			net	gross	
DRT8	361 248	160	22	27	0.640

RACK TROLLEYS

Scale 1:20
Dimensions mm

RACK TROLLEY, high, for stacking

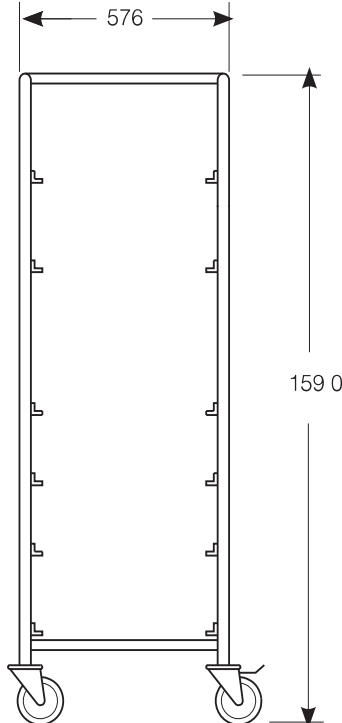
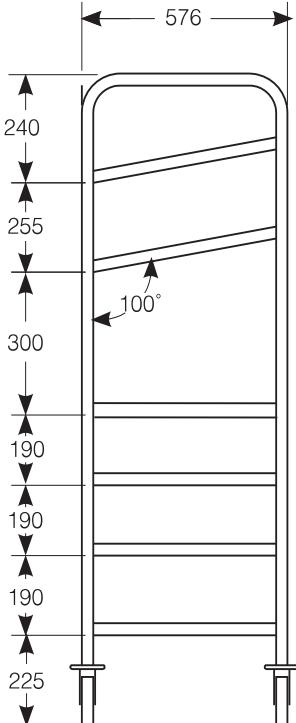


Frame construction – view from above

Specification – rack trolley, high, for stacking

Model	PNC	Max loading kgs	Weight kgs		Shipping volume m ³
			net	gross	
DRT8SS	361 250	160	26	33	0.540

RACK TROLLEY, high, for serving counters



Specification – rack trolley, high, for serving counters

Model	PNC	Max loading kgs	Weight kgs		Shipping volume m ³
			net	gross	
MDNT6B	361 251	120	22	28	0.540

Optional extras

PNC	Description
85 01 00	Wheels Ø 150 mm without brakes (2pcs)
85 01 02	S/s wheels Ø 125 mm without brakes (2pcs)
85 01 10	Wheels Ø 150 mm with brakes (2pcs)
85 01 12	S/s wheels with brakes (2pcs)
85 01 22	Stainless steel top for low rack trolley
85 01 20	Stainless steel drip tray

RACK TROLLEYS

Container trolley



Model 361261

This container trolley made in AISI 304 stainless steel is intended for transportation of containers in professional kitchens.

EASY TO CLEAN

- Constructed in AISI 304 stainless steel with Scotch Brite finish.
- Framework in square 25x25mm tubing, completely welded.

EASY TO MAINTAIN

- Durable no-mark tread on the wheels.

EASY TO USE

- Delivered already assembled.
- Designed for the transportation of 17 pcs GN 1/1 containers, with depth up to 65mm.
- Suitable also for GN 1/2 and 1/3.
- Equipped with C-shaped “non-tip” runners, which allow to pull out the GN containers 2/3 without falling.
- The GN-runners have an upturn at each end, to hold the containers in place.
- 4 pivoting Ø 125 mm wheels, of which 2 with brakes.
- Grey plastic bumpers on all wheels.

For further specifications please see overleaf.

LOIPART AB

P.O. Box 694
SE 441 18 Alingsås, Sweden
Phone +46 322 66 83 60
Telefax +46 322 63 77 47
E-mail loipart@loipart.se

Exclusive Sales of
Electrolux *Marine Equipment*

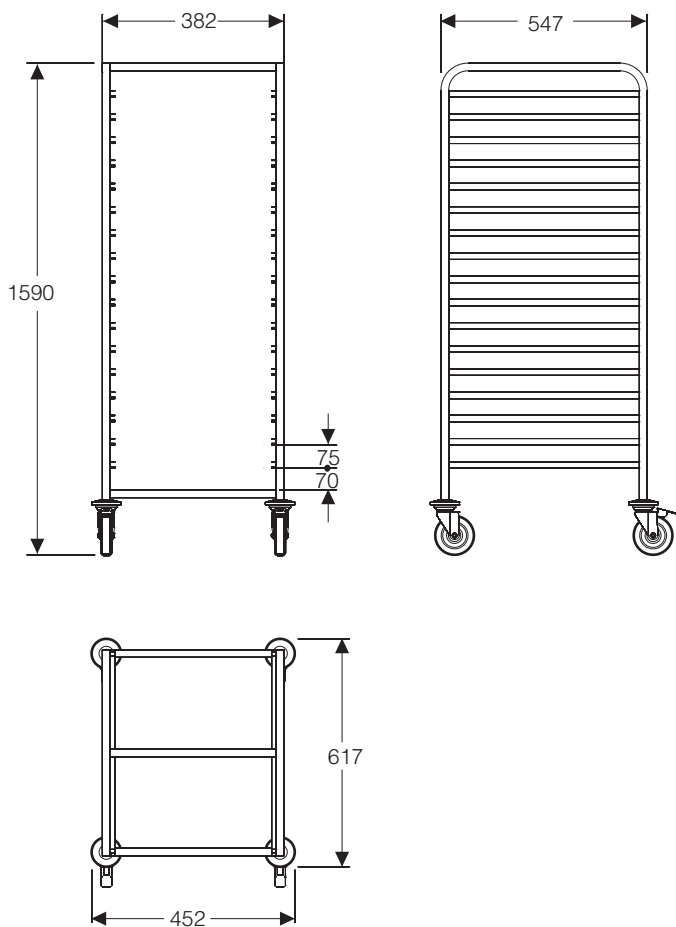
8-404

DOC. NO. 8-404L
EDITION 1 03.08

CONTAINER TROLLEY

Scale 1:20

Dimensions mm



Specification/dimensions mm

Model	Capacity /containers	Weight kgs		Shipping volume m ³
		net	gross	
361261	17 GN 1/1	20	26	0.400

Tray clearing trolley



Model 397 17, with set of optional handles model 16 92 53



Model 397 18, with set of optional handles model 16 92 53

- RIGID CONSTRUCTION
- HEAVY DUTY CASTORS
- CLOSED TYPE -WITH SIDE PANELS
- 2 SIZES
- FLUSHABLE

The tray clearing trolleys are in standard execution built to accept trays 430x330 mm. The trolleys are available in two sizes – for 1x10 and 2x10 trays with white compact laminate side panels.

The trolley consists of a light and rigid framework of square 25x25 mm anodized aluminium tubes and is equipped with a set of heavy duty stainless steel guide rails.

The trolleys are equipped with 4 Ø 125 mm

easy-roll swivel castors with durable tread. Two of the castors are lockable.

A set of two ergonomic grip handles mounted on the trolley is available as an optional extra. The trolley can be manufactured for other sizes of trays as well. Size of trays is to be indicated at time of ordering.

For further specifications and optional extras, please see overleaf.

LOIPART AB

P.O. Box 694
SE 441 18 Alingsås, Sweden
Phone +46 322 66 83 60
Telefax +46 322 63 77 47
E-mail loipart@loipart.se

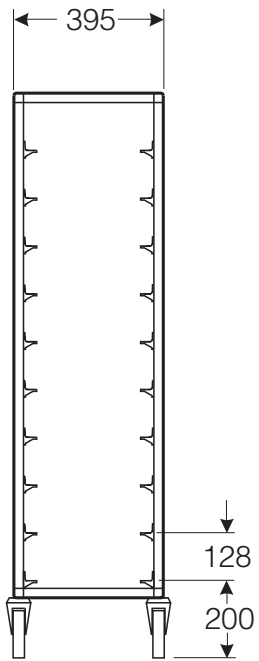
Exclusive Sales of
Electrolux *Marine Equipment*

8-411

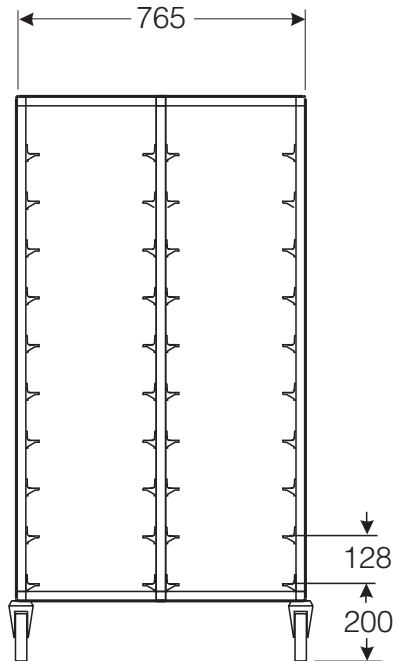
DOC.NO. 8-411L
EDITION 1 01.09

TRAY CLEARING TROLLEYS

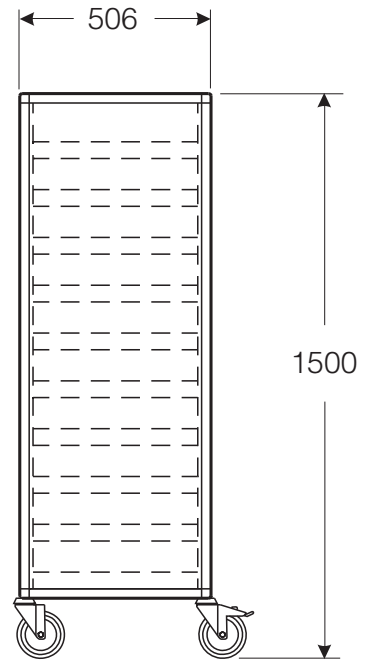
Scale 1:20
Dimensions mm



Model 39717



Model 39718



Specification

Model	Capacity trays	Side panels	Back and top panels	Weight kgs		Shipping volume m ³
				net	gross	
397 17	1x10	x	-	48	51	0.3
397 18	2x10			75	79	0.6
16 92 50	1x10	x	x	50	53	0.3
16 92 51	2x10			78	82	0.6

Optional extras

Model	Description
16 92 53	Set of two handles - mounted on the trolley