

Manual can opener, table type



Model G 2CL

- TABLE TOP MODEL
- SUITABLE FOR MOST SIZES OF CANS
- STAINLESS STEEL GEAR
- BASE DESIGN WITH REPLACEABLE INSERT FOR TIGHTER AND SMOOTHER ACTION
- S/S REVERSIBLE BLADE FOR LONGER LIFE
- PATENTED TAKE APART DESIGN
- SIMPLE INSTALLATION
- EASY TO CLEAN

This can opener with long bar and cast stainless steel clamp base accepts most sizes of cans. Other improvements include a stainless steel shaft, a melonite arbor that resists rust, a stainless steel knife and gear and a new base that eliminates metal-to-metal wear and enhances can opener performance.

The can opener can be easily fixed to any working surface.

For further specifications, please see overleaf.

LOIPART AB

P.O. Box 694
SE 441 18 Alingsås, Sweden
Phone +46 322 66 83 60
Telefax +46 322 63 77 47
E-mail loipart@loipart.se

Exclusive Sales of
Electrolux *Marine Equipment*

17-202

DOC.NO. 17-202L
EDITION 2 08.08

MANUAL CAN OPENER, TABLE TYPE



Specification

Model	Bar length mm	Can height mm	Weight kg		Shipping volume m ³
			net	gross	
G 2CL	559	430	7	9	0.1

Can opener, electric



Model 508 10

- HEAVY DUTY CONSTRUCTION
- SINGLE SPEED MOTOR
- REPLACEABLE KNIFE AND GEAR
- EFFORTLESS ELECTRIC OPERATION

The electric can opener is 266 small enough for countertop use and strong enough for heavy commercial applications.

The opener has single speed motor and is provided with replaceable knife and gear. With one single grip the knife is pressed through the can lid and simultaneously the motor starts.

Motor housing, handle and body are made of die-cast aluminium, cover plates of stainless steel. The knife and the drive wheel are manufactured from high quality tempered tool steel.

The opener has capacity of 4-7 cans per minute and the recommended usage per day is 50 to 100 cans of any shape. With a spring loaded mechanism it will open even rectangular and dented cans, maximum height 175 mm.

Rigid construction and a rotating knife guarantee long life and smooth cutting edges. For further specifications, please see overleaf.

LOIPART AB

P.O. Box 694
SE 441 18 Alingsås, Sweden
Phone +46 322 66 83 60
Telefax +46 322 63 77 47
E-mail loipart@loipart.se

Exclusive Sales of
Electrolux *Marine Equipment*

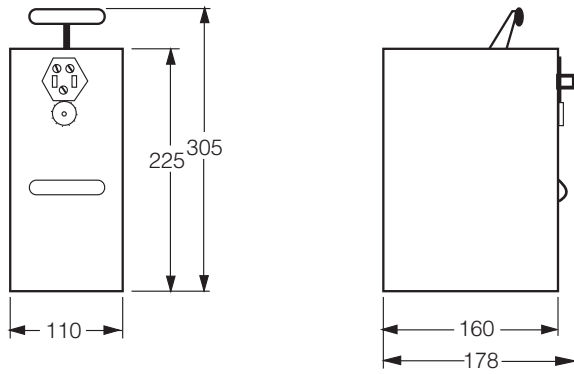
17-211

DOC.NO. 17-211L
EDITION 4 03.10

CAN OPENER, ELECTRIC

Scale 1:10

Dimensions mm



Specification

Model	Type	Version	Max height of cans inmm	Capacity approx. cans/min	Voltage	Loading kW	Weights kgs		Shipping volume m ³
							net	gross	
508 10	266	table top	175	4-7	230 1-50/60	0.080	5.5	6	0.010

Knife sharpener, electric



Model 41 70 10

- STAINLESS STEEL HOUSING
- PRECISION GUIDANCE SYSTEM TO HELP MAINTAIN A PERFECT EDGE
- HEAVY DUTY MOTOR WITH OVERLOAD PROTECTION
- SMOOTH EXTERIOR – EASY TO KEEP CLEAN

The table top type knife sharpener type 401 will give you years of trouble-free running. Sharpens knives from 3/16 of an inch to cleaver blades as well as scalloped edge bread knives.

Cool-running slow speed wheel makes that knives never lose their temper due to over-heating when being sharpened.

Signal light indicates when motor is running. Knife guides allows knife heel to be insert closer to stone to maximize sharpening area. ABS knife guide pops out for easier cleaning and easy of maintenance.

The grinding wheel assembly is replaceable. For further specifications, please see overleaf.

LOIPART AB

P.O. Box 694
SE 441 18 Alingsås, Sweden
Phone +46 322 66 83 60
Telefax +46 322 63 77 47
E-mail loipart@loipart.se

Exclusive Sales of
Electrolux *Marine Equipment*

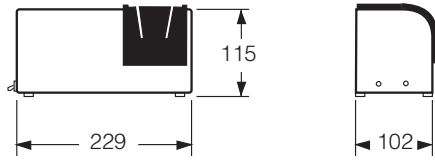
17-215

DOC.NO. 17-215L
EDITION 3 08.10

KNIFE SHARPENER, ELECTRIC

Scale 1:10

Dimensions mm



Specification

Model	Type	Dimensions mm			Voltage V	Loading kW	Max amps in phase	Weight kgs		Shipping volume m ³
		width	depth	height				net	gross	
41 70 10	401	229	102	115	230 1-50/60*	0.6	3	4	5	0.005

* Other voltages available upon request

Knife rack, KR-699



Model 41 70 05

- FULL STAINLESS KNIFE SKIRT
- DISHWASHER SAFE
- NSF-CERTIFIED POP-OUT INSERT

This knife rack stores knives safely and conveniently.

Thermoplastic insert will not dull knives. Sanitary construction, may be put through dishwasher regularly.

Composition tray protects blades, slides out for easy cleaning.

Capacity up to 12 tools.

For further specifications, please see over-leaf.

LOIPART AB

P.O. Box 694
SE 441 18 Alingsås, Sweden
Phone +46 322 66 83 60
Telefax +46 322 63 77 47
E-mail loipart@loipart.se

Exclusive Sales of
Electrolux *Marine Equipment*

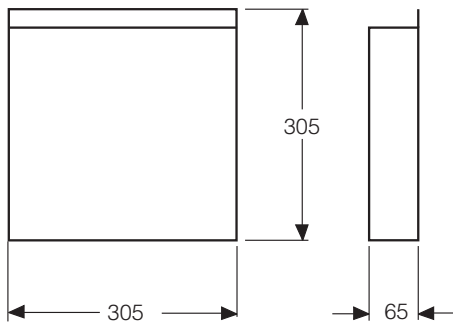
17-220

DOC.NO. 17-220L
EDITION 4 06.10

KNIFE RACK, KR-699

Scale 1:10

Dimensions mm



Specification

Model	Type	Weight kgs		Shipping volume m ³
		net	gross	
41 70 05	KR-699	1	2	0.005

Electric hot air sterilizer, E 28



Model 51 70 08

- FUNCTIONAL AND ROBUST HOT AIR STERILIZER
- WITH CONVECTION AND MECHANICAL CONTROL
- COMPACT AND RELIABLE EXECUTION
- STAINLESS STEEL INTERIOR CHAMBER
- EASY TO USE

When purchasing the E 28 you get a reliable and efficient hot air sterilizer with a solid equipment at a very favourable price. The E 28 will convince you with its robust, space-saving construction and the easy handling.

The interior chamber made of stainless steel with integrated shelf-holders allows an absolutely safe and easy cleaning without residues. The oven can be loaded conveniently by means of non-tip shelves. The housing is maximally protected against cor-

rosion thanks to the use of galvanized steel and powder coating.

The hydraulic-mechanical control with detectable brake guarantees a reliable temperature accuracy. The E 28 is equipped with a ventilation slide. Thus, the necessary air change for drying can be adjusted. By means of the serial timer, all the thermal procedures such as the hot air sterilization can be automatized.

For further specifications, please see over-leaf.

LOIPART AB

P.O. Box 694
SE 441 18 Alingsås, Sweden
Phone +46 322 66 83 60
Telefax +46 322 63 77 47
E-mail loipart@loipart.se

Exclusive Sales of
Electrolux *Marine Equipment*

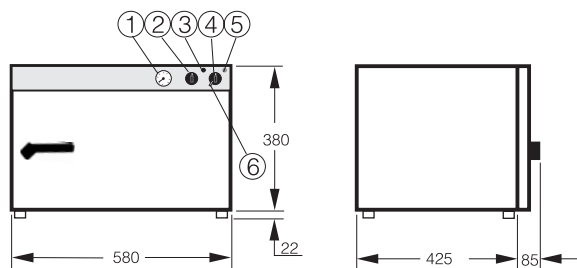
17-550

DOC.NO. 17-550L
EDITION 2 08.07

ELECTRIC HOT AIR STERILIZER, E 28

Scale 1:20

Dimensions mm



1. Control thermometer
2. Main switch / time switch 0 - 120 min.
3. Pilot lamp green – ready to operate
4. Thermostat
5. Pilot lamp yellow – heating on
6. Thermostat brake

Specifications

Model	Type	Volume litres	Interior dimensions mm			Temperature range	Voltage V	Loading kW	Weight kgs		Shipping volume m ³
			width	depth	height				net	gross	
51 70 08	E 28	28	400	250	280	+60 up to +230°C	230 1-50/60	0.800	23	26	0.150

Portion scales



Model AXM-15K



Model MS-3000

- STAINLESS STEEL HOUSING AND PLATTER
- COMPACT SIZE
- EASY, ACCURATE WEIGHING
- RECHARGEABLE BATTERY AND AC/AD ADAPTER AS STANDARD
- LOW BATTERY INDICATOR

Easily removable portion scales with well finished steel platter and platform cover made of stainless steel. The compact size and low profile design make them very applicable. The scales are provided with overload protection devices against excessive load or shock. Simple and user friendly design with bold type display. Possibility to select between two built-in weight units - Metric or Avoirdupois. Equipped with memory accumulation, memory recall, automatic tare, power ON zero, auto zero tracking, full subtractive tare, digital auto calibration and auto power saving function.

The scales can alternatively be run by the built-in rechargeable battery or by a standard delivered AC/AD adapter.

The units are provided with bubble level control and adjustable feet.

For further specifications of the different models, please see overleaf.

LOIPART AB

P.O. Box 694
SE 441 18 Alingsås, Sweden
Phone +46 322 66 83 60
Telefax +46 322 63 77 47
E-mail loipart@loipart.se

Exclusive Sales of
 **Electrolux** *Marine Equipment*

17-956

DOC.NO. 17-956L
EDITION 2 11.08

PORTIONS SCALES

Specification - (operating/environment temperature: 0° - 40°C)

Model	Capacity	Division	Resolution	Dimensions LxWxH mm		Power supply	Weight kgs		Shipping volume m ³
				housing	platter		net	gross	
MS-3000	3 kg / 6 lb 9.8 oz	1 g /0.05 oz	1/3000	220x305x85	210x210	rechargeable battery 6 V or AC/DC adapter	6,5	8.5	0.02
MS-6000	6 kg / 15 lb 3.6 oz	2 g /0.01 oz							
AXM-15K	15 kg / 33 lb 11.1oz	5 g / 0.18 oz		240x285x105	215x250		5	7	0.025
AXM-30K	30 kg /66 lb 22.2 oz	10 g / 0.35 oz							

Platform scales



Model LPW-4

- EASY OPERATION AND SOLID CONSTRUCTION
- CAPACITY FROM 30 KG TO 300 KG
- LARGE AND CLEAR 30 MM LED DISPLAY
- HEAVY DUTY, WELL FINISHED STEEL PLATFORM, OUTSIDE PART IN STAINLESS STEEL
- PORTABLE AND SPACE SAVING PLATFORM
- RECHARGEABLE BATTERY AND AC/ADAPTER AS STANDARD
- CHARGING STATUS INDICATOR
- CONVERSION KG – LB

Easily removable platform scales with the cover made of stainless steel and a separate display unit made in aluminium. Provided with overload protection devices against excessive load or shock. Equipped with auto calibration, auto zero tracking, full tare range and selectable auto-off function to save battery.

The scales are delivered complete with the floor stand and the detachable operation and display unit. The touch-buttons for ON/OFF, ZERO, TARA, M+ and UNIT setting are located on the display unit.

The scales can alternatively be run by the built-in rechargeable battery or by a standard delivered AC/AD adapter.

The units are provided with bubble level and adjustable feet.

For further specifications of the different models, please see overleaf.

LOIPART AB

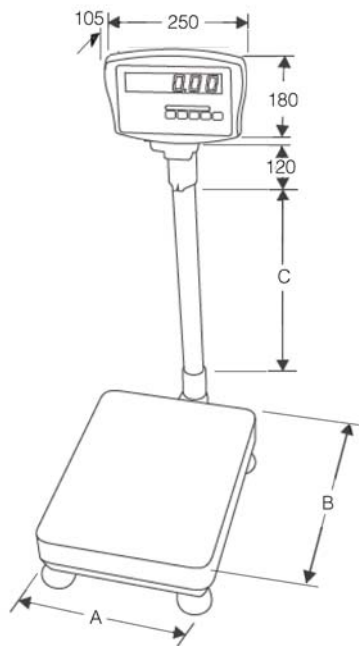
P.O. Box 694
SE 441 18 Alingsås, Sweden
Phone +46 322 66 83 60
Telefax +46 322 63 77 47
E-mail loipart@loipart.se

Exclusive Sales of
Electrolux *Marine Equipment*

17-958

DOC.NO. 17-957L
EDITION 1 02.11

PLATFORM SCALES



Specification - (operating/eviroment temperature: 0° - 40°C, humidity < 85% RH max.)

Model	Capacity kgs	Division g	Operating time in continues use	Input (adapter specifications)	Adapter	Dimensions B x A x C mm	Power supply	Weight kgs		Shipping volume m ³
								net	gross	
LPW-3	60	10	80 h*	100/240V AC 50/60Hz, 0.32 A max	12V/500mA	400 x 500 x 120	rechargeable battery 6V/4Ah or AC/DC adapter	13	15	0.13
LPW-4	150	20				500 x 600 x 120		24	27	
LPW-6	300	50				500 x 600 x 120		24	27	

* with power save function activated, much longer time between charging